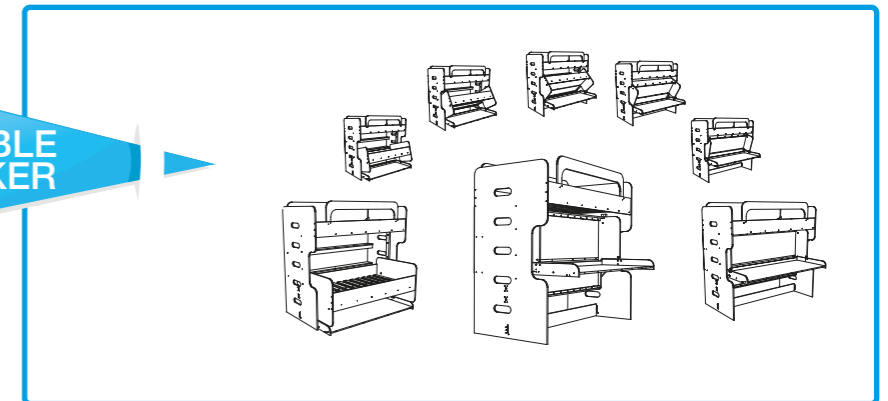
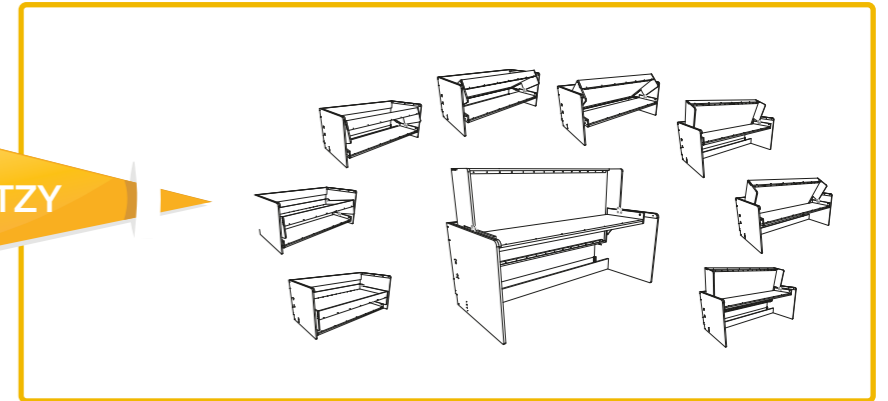
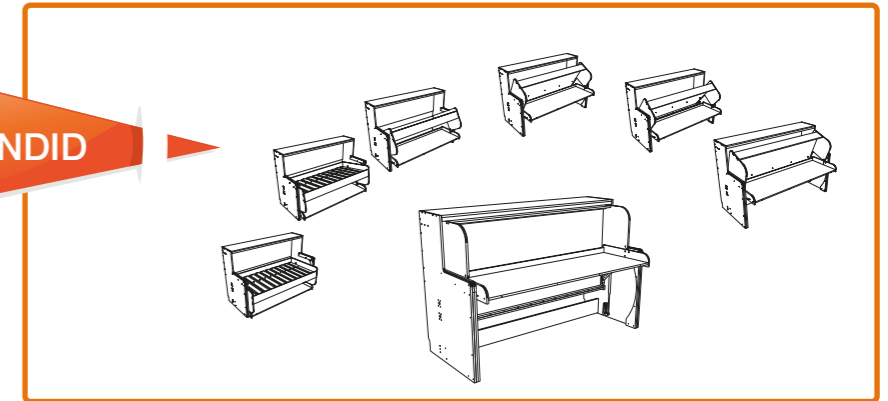
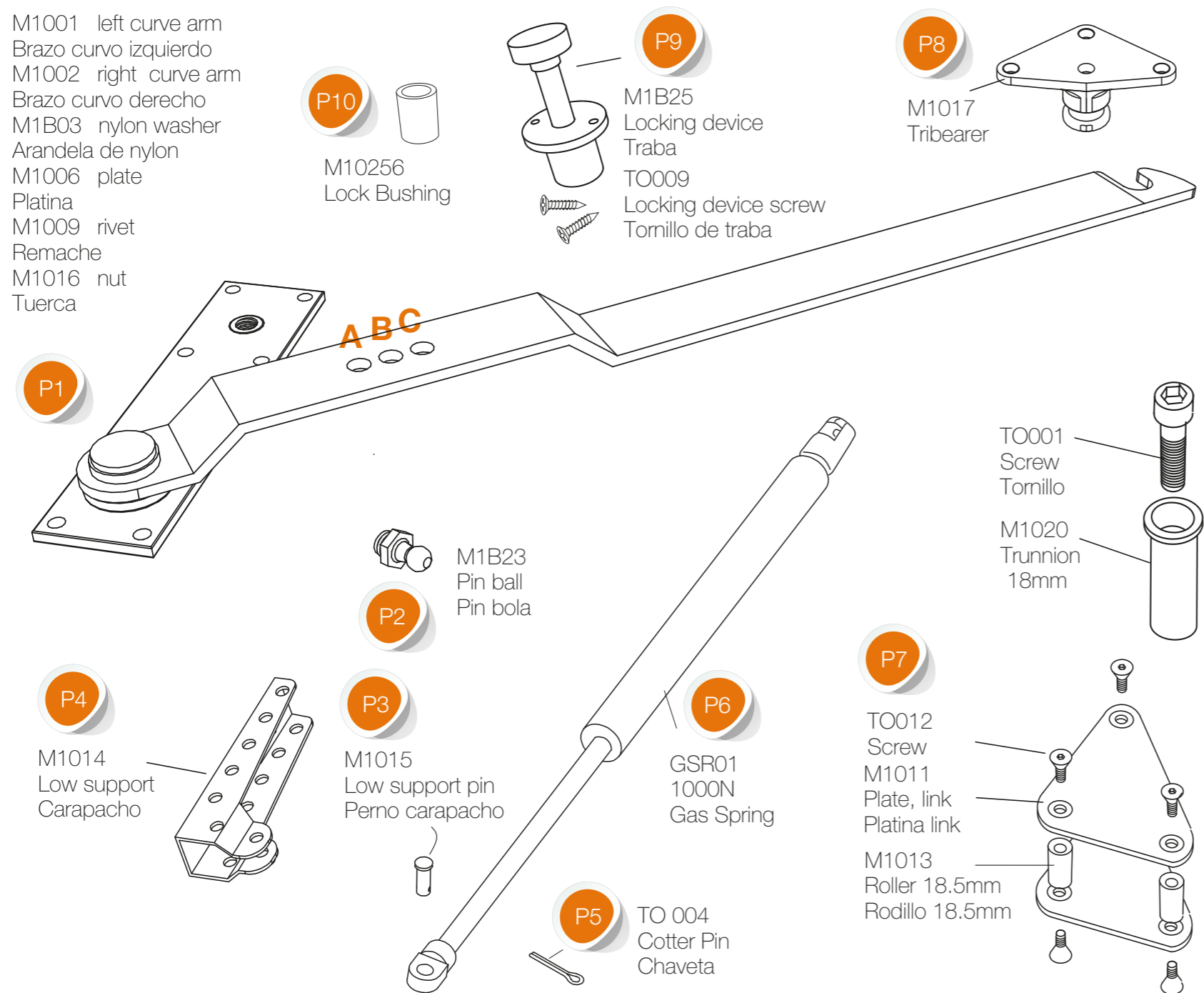


Pin Position C - For more load on table.  
Pin Position A - For less load on table.

- M1001 left curve arm  
Brazo curvo izquierdo
- M1002 right curve arm  
Brazo curvo derecho
- M1B03 nylon washer  
Arandela de nylon
- M1006 plate  
Platina
- M1009 rivet  
Remache
- M1016 nut  
Tuerca



Technical drawings and assembly instructions available by request.

We encourage you to design your own model.

Link mecanismo M1

[http://www.youtube.com/watch?v=NfKBk\\_aEL1o](http://www.youtube.com/watch?v=NfKBk_aEL1o)